

## Two Way Tilt Cradle

Please identify which two way cradle you have.

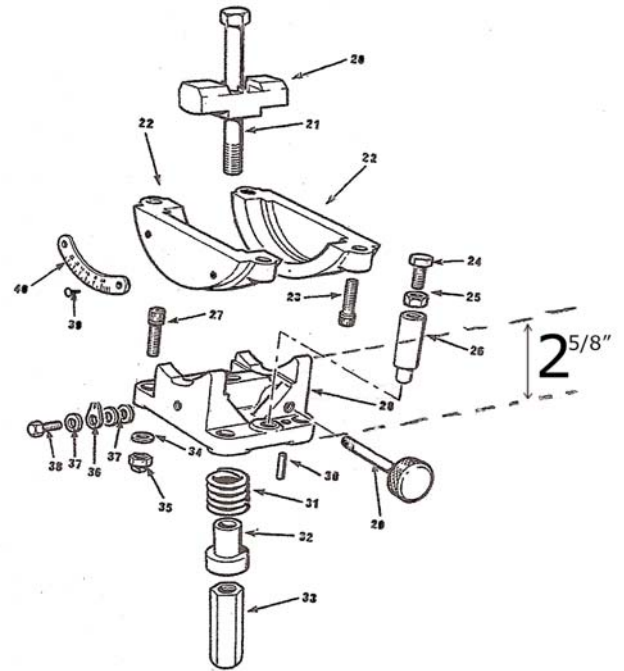
Old type cradle - 2.5/8" (this is now obsolete and replaced by- )

New type cradle - 3.5/16" (Part N° 2367/B) to be supplied with the following : -

Bolt - BO5611. Clamp nut - 8557, & Clamp pad 8556.

### Old Type Tilt Cradle Assembly

Item	Part No.	Description	Qty
20	2369	Clamp Pad	1
21		No Longer Available	
22	2368	Half Round Trunnion	2
23	BO5026	Cap Screw	4
24	BO5518	Hex Screw	1
25	BO5703	Hex Nut	1
26	2373/A	Stop Pillar	1
27	BO5029	Cap Screw	4
28	2367/B	Cradle. See above for new type	1
29	2500	Thumb Screw	1
30	BO5376	Spring Dowel	1
31	BO2215	Compression Spring	1
32	2370/B	Sleeve	1
33		No Longer Available	
34	BO5917	Washer	4
35	BO5726	Self Lock Nut	4
36	2372	Pointer	1
37	BO5195	Washer	3
38	BO5507	Screw	1
39	BO5871	Drive Screw	2
40	2371	Tilt Scale	1



### New Type Tilt Cradle Assembly - SM286/B

Item	Part No.	Description	Qty
67	BO5401	Screw	1
68	BO5913	Washer	5
69	2812	Pointer	1
70	BO5500	Screw	4
71	BO5871	Screw	2
72	2371	Tilt Scale	1
73	BO5611	Screw	1
74	8556	Clamp	1
75	2835	Trunnion	1
83	2367/B	Cradle	1
84	BO5029	Screw	4
85	BO5917	Washer	8
87	BO2215	Compression Spring	1
88	2370/B	Sleeve	1
89	8557	Special Nut	1
90	2500	Thumb Screw	1
91	BO5376	Spring Dowel	1
92	2810	Tommy Bar	1
93	2809	Stop Pin	1
94	BO5742	Lock Nut	1
95	BO5518	Screw	1

