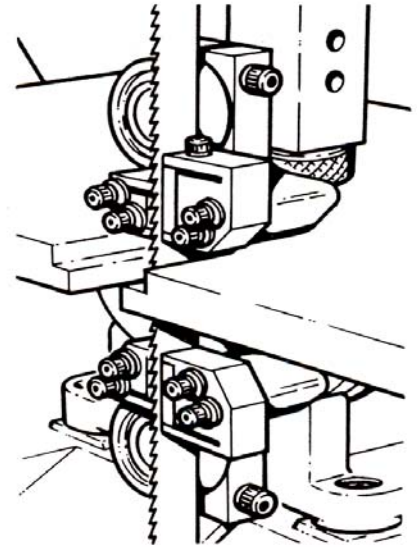


UNIVERSAL BLADE GUIDES

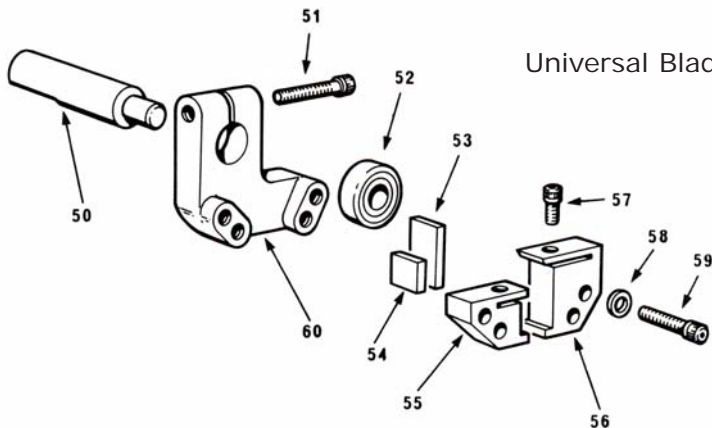
The universal blade guides are most suitable for high-speed sawing and general cut off work where sawing accuracy is not very important.

These blade guides use the same size inserts for all widths of saw blades.

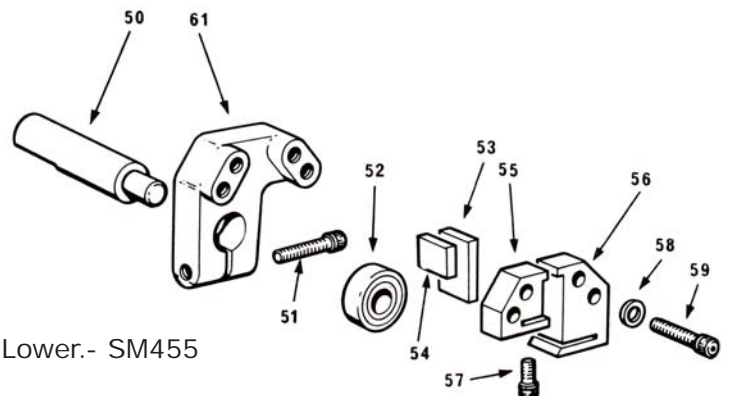
The guides utilise standard location points on the machine.



ITEM	PART No	DESCRIPTION	QTY
	SM454	UNIVERSAL BLADE GUIDE- UPPER	1
	SM455	UNIVERSAL BLADE GUIDE- LOWER	1
50	3504	SUPPORT ARM	2
51	BO5011	CAP SCREW	2
52	BO2002	BALL BEARING	2
53	3512	GUIDE INSERT- LARGE	2
54	3513	GUIDE INSERT- SMALL	2
55	3505	GUIDE HOLDER- SMALL	2
56	3506	GUIDE HOLDER- LARGE	2
57	BO5001	CAP SCREW	4
58	BO5941	WASHER	8
59	BO5003	CAP SCREW	8
60	3507	GUIDE BODY- UPPER	1
61	3508	GUIDE BODY- LOWER	1



Universal Blade Guides- Upper.- SM454



Universal Blade Guides- Lower.- SM455

MACHINE SPARES LTD.

Garratt St. Brierley Hill, West Midlands, DY5 1JU.

Tel: 0870 870 2550 fax: 0870 870 2660